

EACIE Enclosure[™] Specification Sheet



Secured by Design



Police Preferred Specification

The EACIE Enclosure[™] has been designed and developed in accordance with British Standard BS8629:2019. It provides access to the fire and rescue service through their Gerda One Key System[®]. The EACIE Enclosure[™] is Secured by Design approved.

The EACIE Enclosure[™] forms part of an evacuation alert system, for use specifically by the fire and rescue service within a building containing flats or maisonettes. The EACIE Enclosure[™] houses evacuation alert control and indicating equipment (EACIE), the function of which, is to assist the fire and rescue service in the management of a fire incident.

Performance and Certification

- ISO 9001:2015 certified Company
- The locks are designed to be operated by the fire & rescue service
- The EACIE Enclosure™ is successfully tested to STS205 Issue 5 BR2 (level II) – ‘Requirements for burglary resistance of security cabinets & security enclosures’
- The lock cylinder, certified to EN1303:2015, achieves best grades in all categories and is approved by Secured by Design, which is a police preferred specification
- Certified through third party certification body.

Security

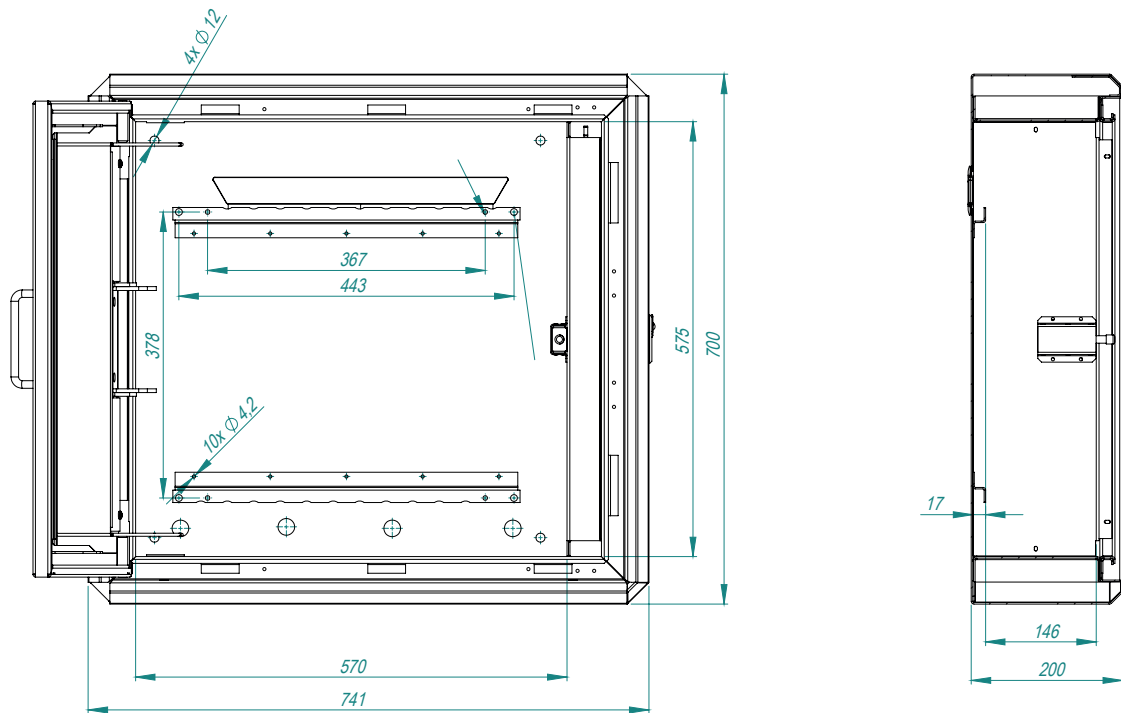
- The lock is designed to be operated by the fire & rescue service through the Gerda One Key® System
- 2-point locking mechanism (top and bottom)
- Patented integral cylinder with 4 billion key combinations
- Part of a British Standards Kitemarked system to BS3621; BS8621; BS10621 (KM524077; KM524079; KM524081)
- Features of the lock include an anti-glue facility and anti-drill cylinder that uses the Hard Soft System, being formed of several composites of metal
- The engineering of the box is such that the cylinder cannot be extracted
- The lock is positioned on the right side of the box in order to avoid the attention of vandals and to restrict manoeuvring room in the event of an attack
- The key hole is protected with a lock cover to prevent debris entering the lock.

Specification

- The EACIE Enclosure™ is constructed from steel
- The hinges are positioned inside the box and therefore prevent against vandalism
- Powder coated to RAL 9006 (Silver)
- Whilst the EACIE Enclosure™ is guaranteed against corrosion and offers weather proofing, it is to be sited internally within a building, in line with BS8629:2019
- Fitted with the specialist EACIE signage fastened securely to the door
- The door handle is attached to the right side of the door and is positioned centrally
- The unique shape of the Gerda 3d dimensional key® is trademarked
- The key is protected against unauthorised copying and forms part of a registered key system.

Dimensions

- The external size of the EACIE Enclosure™ is 741mm (w) x 700mm (h) x 200mm (d)
- Weight 69kg



Installation

- Installation instructions are supplied with each EACIE Enclosure™ together with masonry fixings and a fitting template. The pull handle is also supplied separately to avoid damage in transit.
- Please note that whilst this product is supplied with masonry fixings, these may not always be appropriate for the substrate. If this is the case, then appropriate fixings to support the EACIE Enclosure™, including the fire alarm panel design, must be used.
- Please note that the EACIE Enclosure™ weighs nominally 69 kg. This means that at any stage of handling – manual handling guidelines must be adhered to (see HSE website for manual handling). Preparation should be made for any equipment necessary to lift the EACIE™ Enclosure into position or to unload the EACIE Enclosure™ from the delivery vehicle. This could include mechanical equipment such as a forklift or a material lift with counterweight base. It is recommended that a risk assessment is carried out prior to the installation.

Produced by Gerda Security Products Ltd



www.gerdasecurity.co.uk
enquiries@gerdasecurity.co.uk
freephone: 0800 389 1521

Technologies House
26 Hampstead Avenue
Mildenhall
Suffolk
IP28 7AS

Gerda House
54 Chiswick Avenue
Mildenhall
Suffolk
IP28 7AY

Adamson House
The Towers
Didsbury
Manchester
M20 2YY

© Gerda Security Products Ltd.